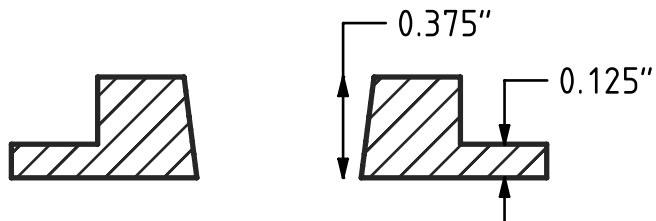
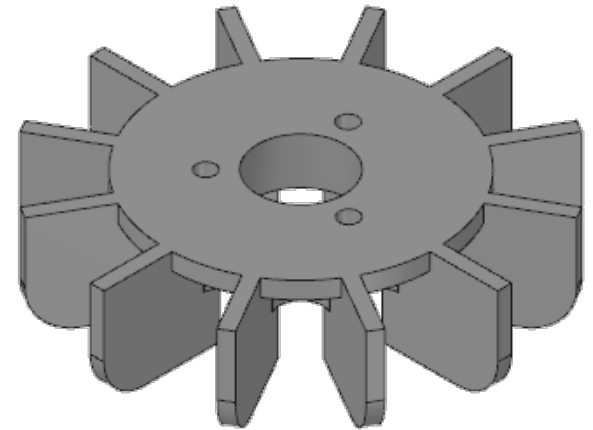
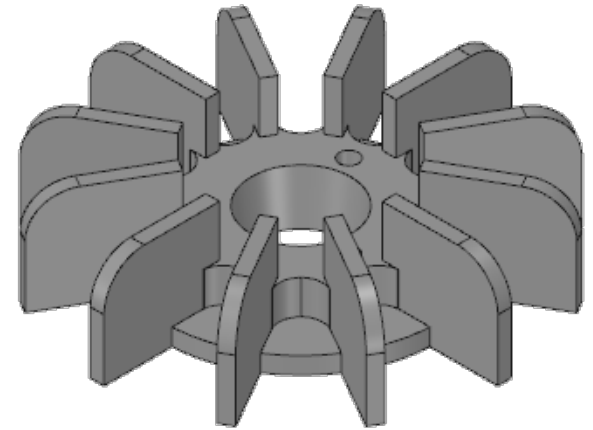
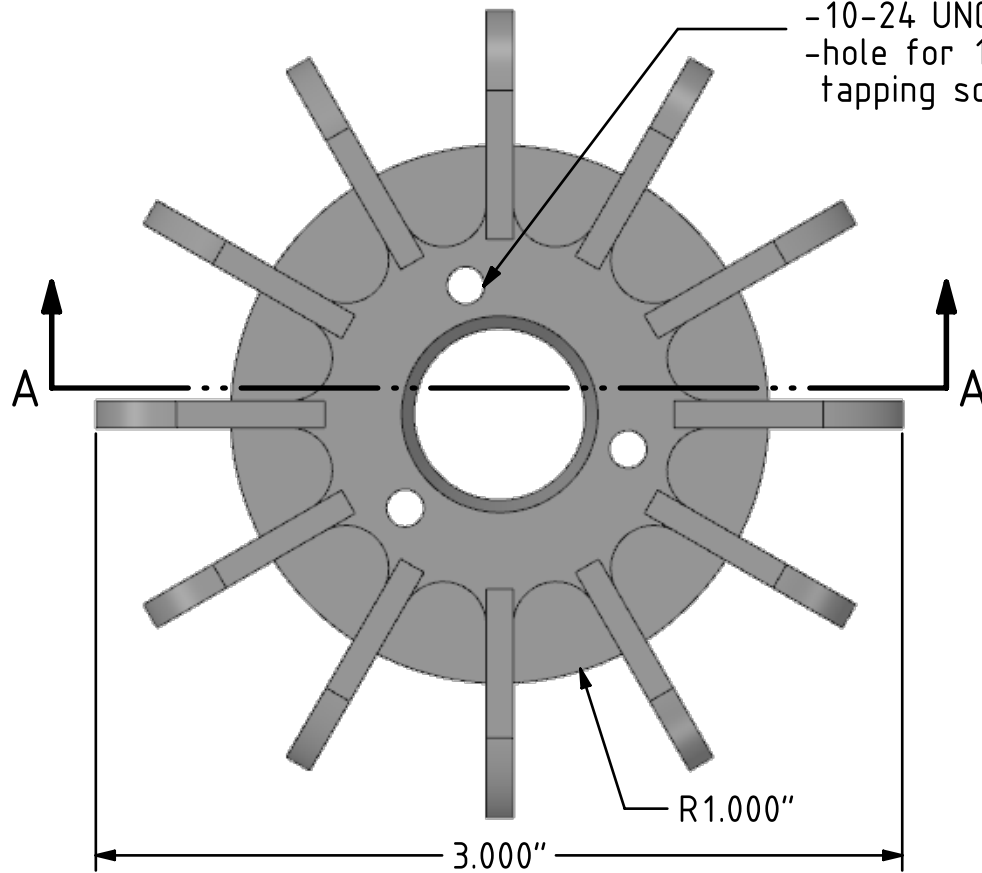
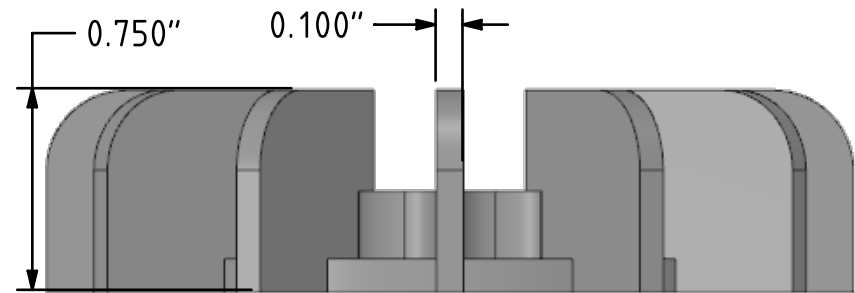


-10-24 UNC (aluminum)
-hole for 10-24 self tapping screw (plastic)



SECTION A-A



Material	Part Number
Plastic	7600-2
Aluminum	7600-1