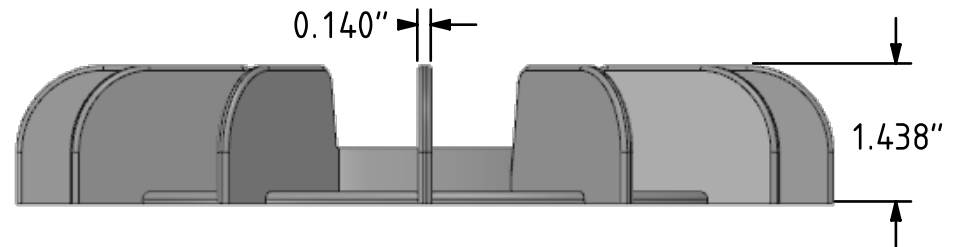
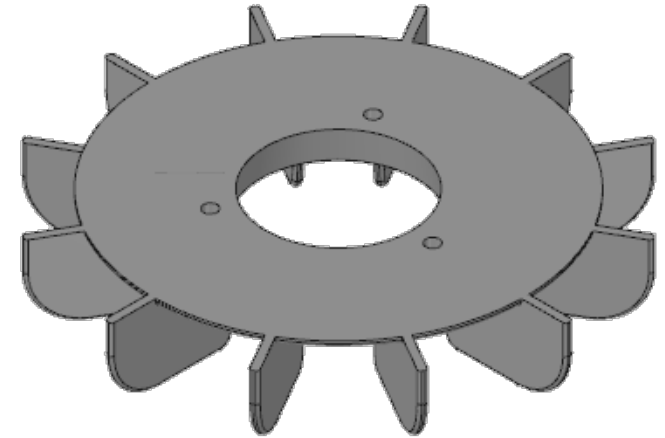
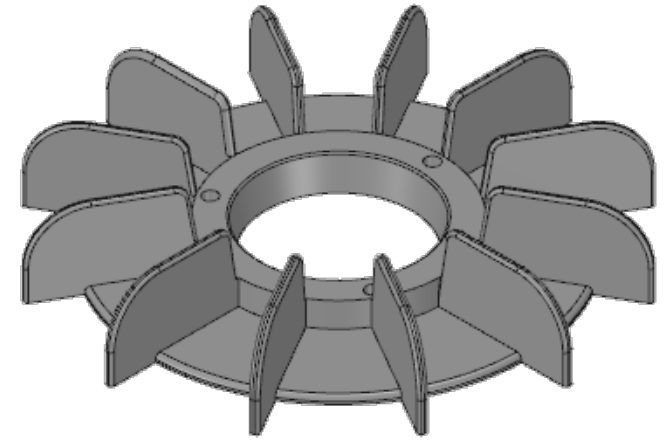


SECTION A-A



Material	Part Number
Plastic	21633-2
Aluminum	2163-1