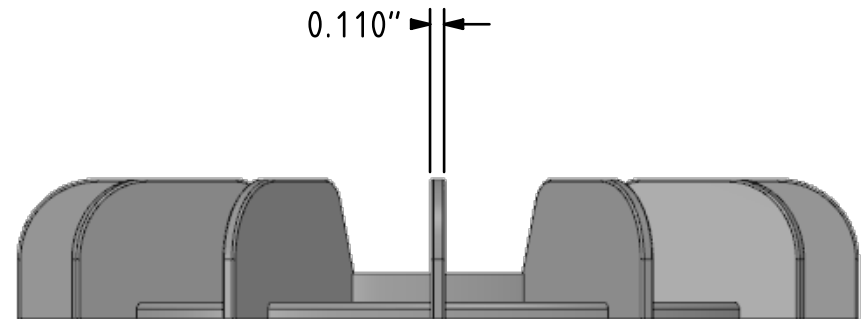


0.110"



SECTION A-A

Material	Part Number
Plastic	16622-2
Aluminum	1662-1