





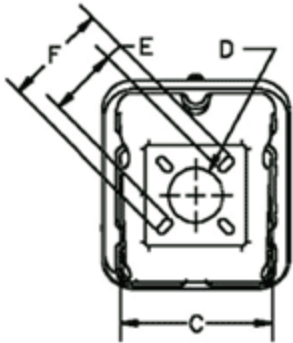
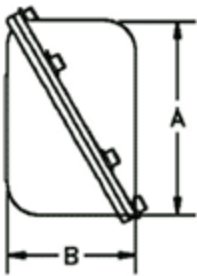


<b>EZE-Tbox® Plastic Injection Moulded Terminal Boxes</b>			
			
Frame Size	*Assembly Part No.	Base Only Part No.	Cover Only Price No.
Less than 184T	7585-1	850-1	750-1
Less than 184T-286T	1112-1	1200-1	1100-1
Custom machining of back plate area			
*Fully assembled (fasteners and gaskets included)			

<b>EZE-Tbox® Gaskets</b>		
		
Frame Size	Base Gasket Part No.	Cover Gasket Part No.
Less than 184T	850-G	750-G
Less than 184T-286T	1200-G	1100-G

<b>EZE-Tbox® Terminal Box Dimensions</b>							
							
Part No.	A	B	C	D diameter	E	F	Conduit Opening
7585-1	102mm 4"	76mm 3"	102mm 4"	28.5mm 1-1/8"	38mm 1-1/2"	63.5mm 2-1/2"	19mm 3/4"
1112-1	159mm 6-1/4"	105mm 4-1/8"	130mm 5-1/8"	44.5mm 1-3/4"	57mm 2-1/4"	85.75mm 3-3/8"	25mm 1"